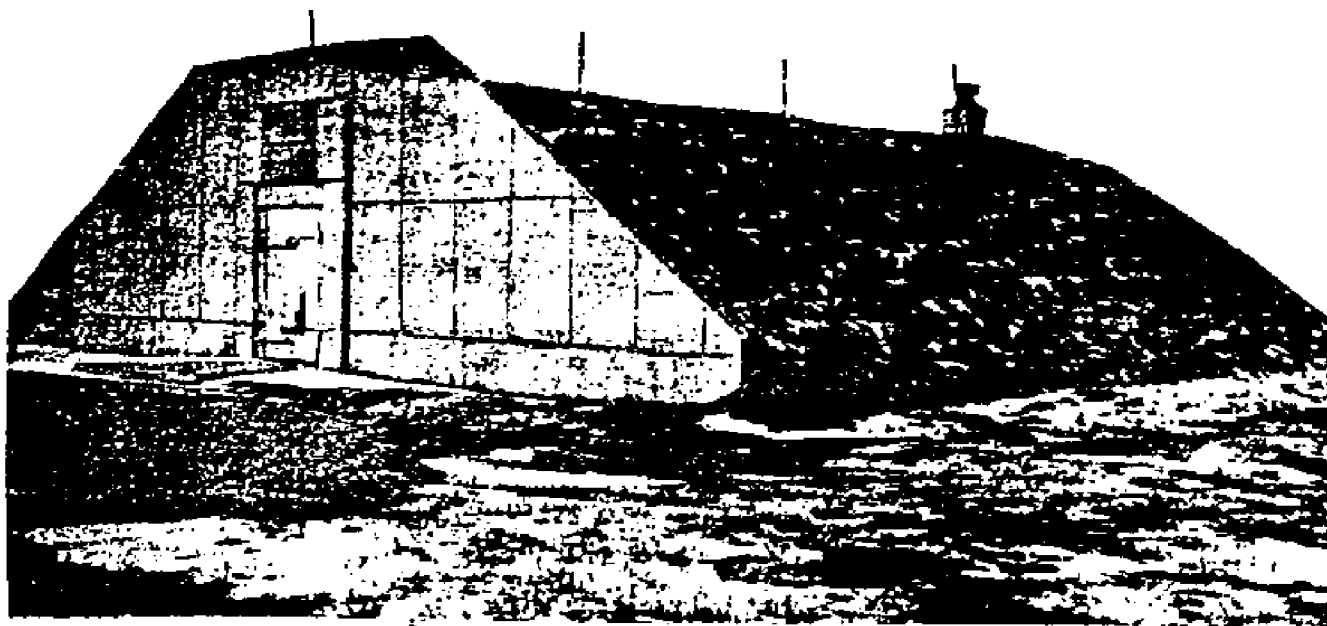




Inspect Munitions Storage Facilities







OLD MSIR

MAGAZINE/SITE INSPECTION REPORT		Date
LOCATION		Inspector's Name
TYPE (igloo, outside, etc)		
QD CLASS		
EXPLOSIVE LIMIT		
ACTUAL EXPLOSIVE WT IN LOCATION		
CONDITION	CHECK	REMARKS

MAGAZINE/SITE INSPECTION REPORT

LOCATION F10 Date Sept 12, 1979

TYPE (igloo, outside, etc) EARTH COVERED Inspector's Name SFC Smith, John J.

QD CLASS _____

EXPLOSIVE LIMIT _____

ACTUAL EXPLOSIVE WT IN LOCATION _____

CONDITION	CHECK	REMARKS
-----------	-------	---------

NEW MSIR

MAGAZINE/SITE INSPECTION REPORT

* LOCATION F10 * Date Sept 12, 1979

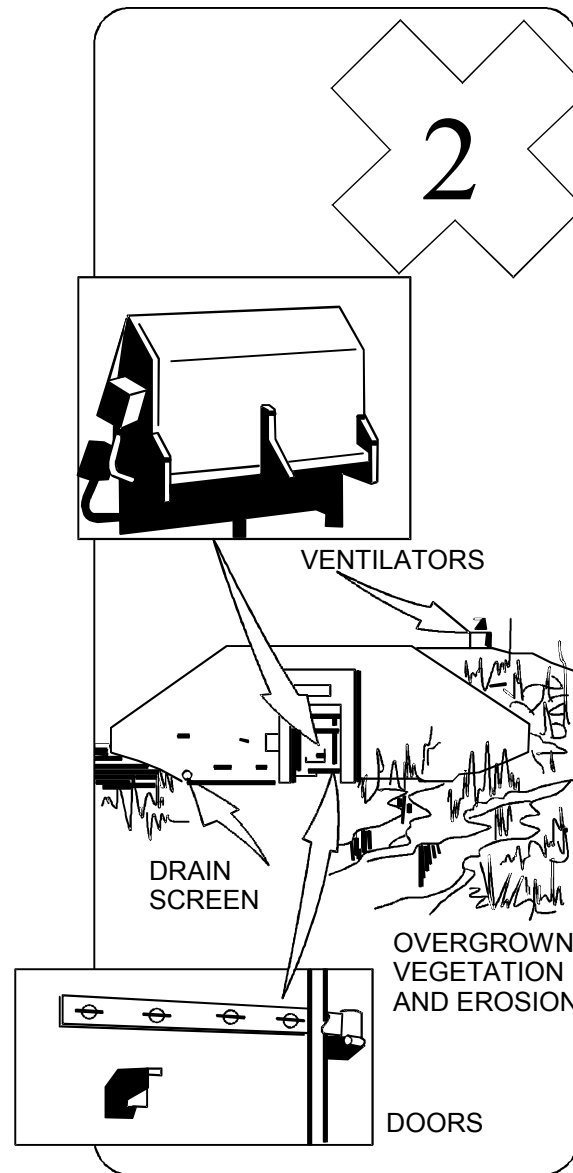
* TYPE (igloo, outside, etc) EARTH COVERED * Inspector's Name SFC Smith, John J.

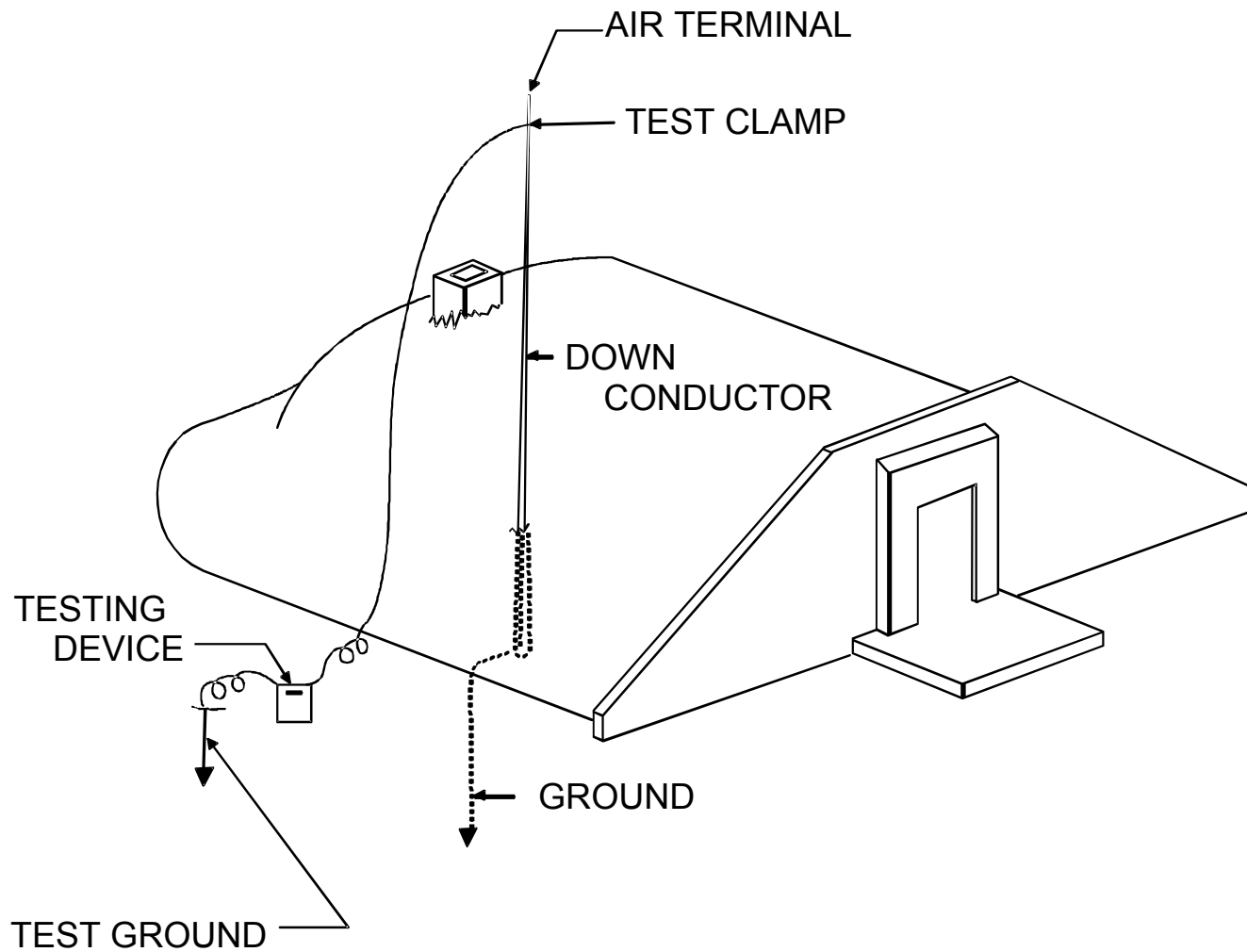
QD CLASS _____

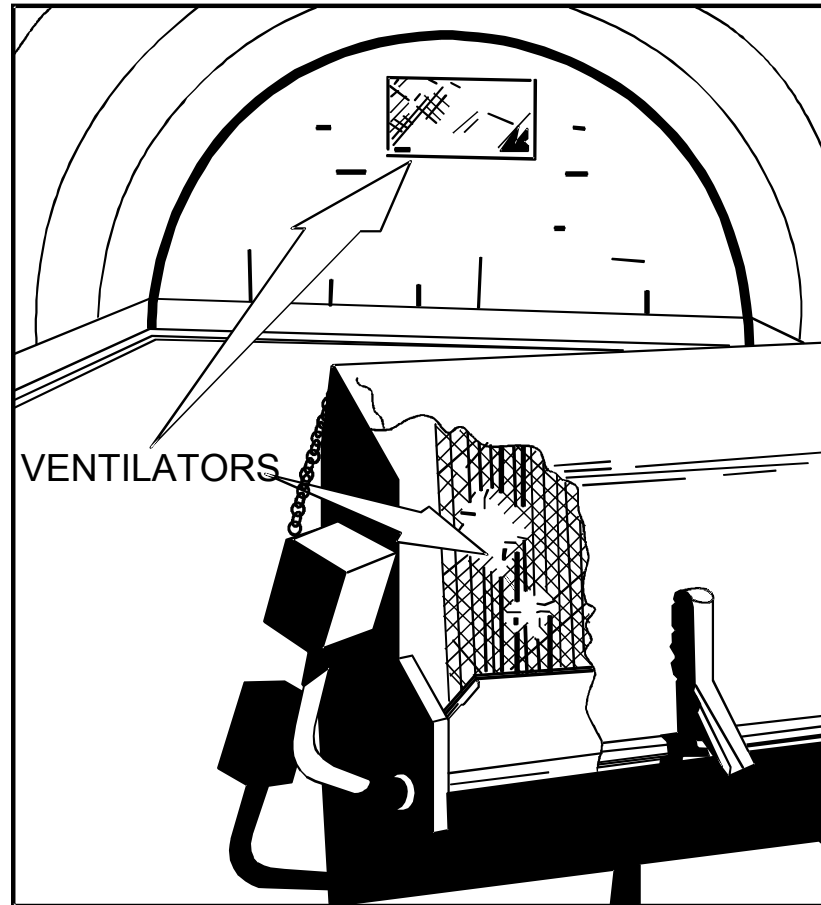
EXPLOSIVE LIMIT 250.000lbs

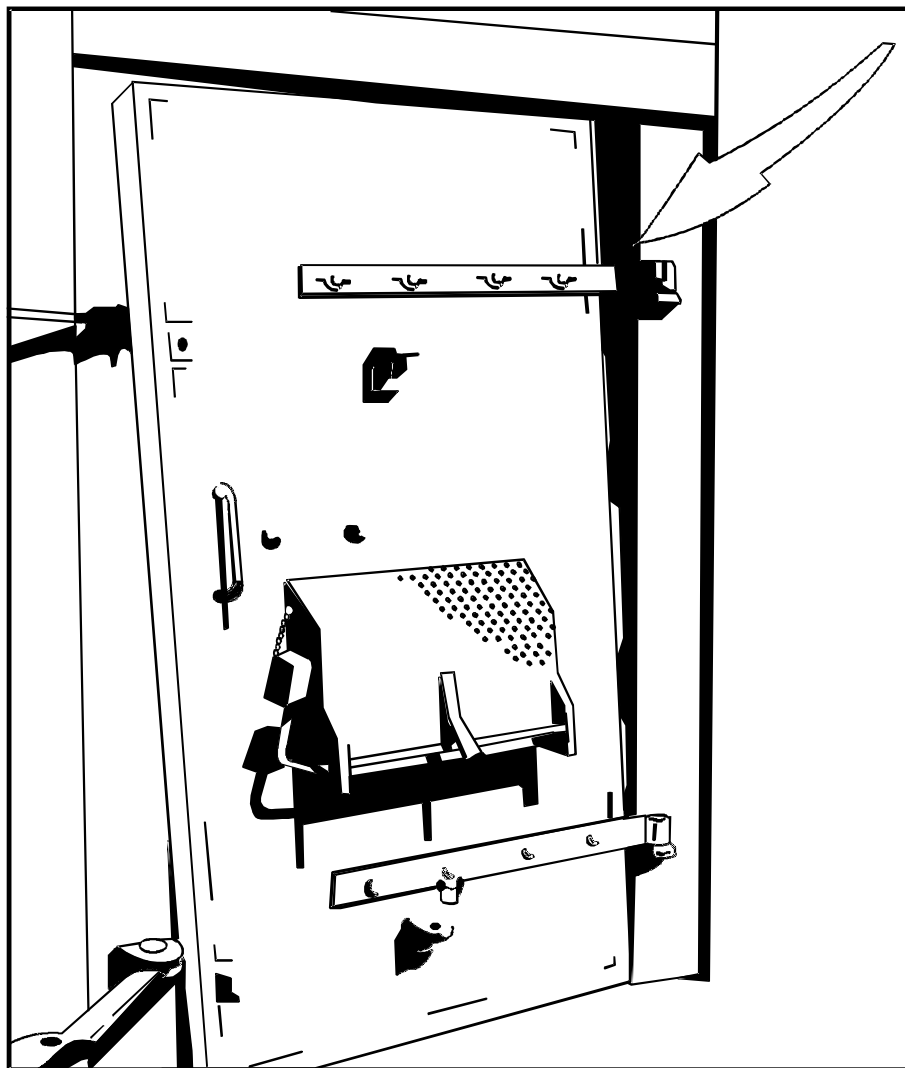
ACTUAL EXPLOSIVE WT IN LOCATION _____

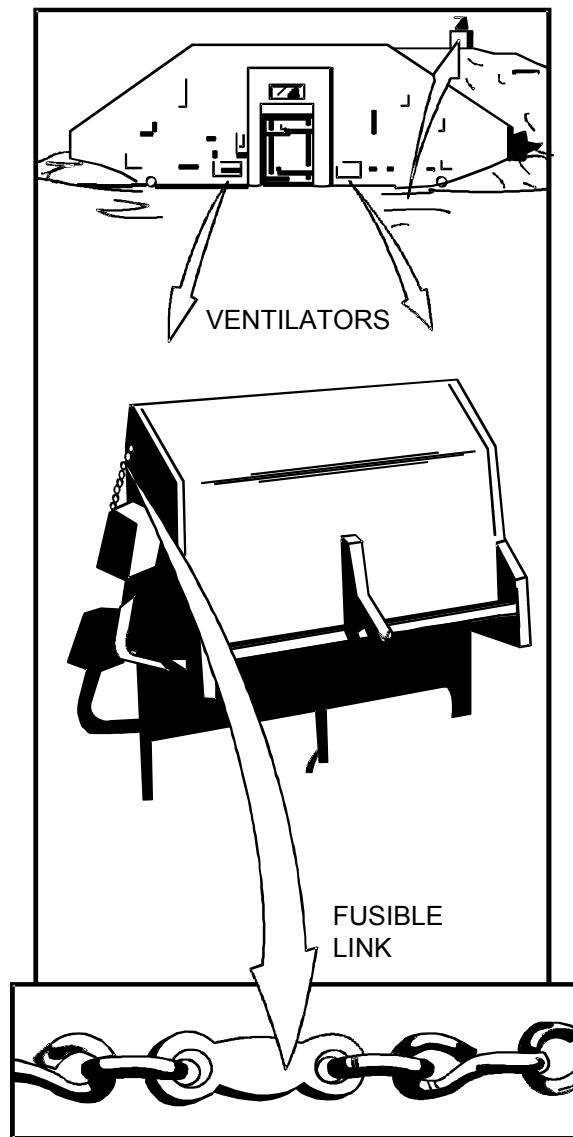
CONDITION	CHECK	REMARKS
-----------	-------	---------













DA LABEL 85

STORAGE AND CARE OF EXPLOSIVES

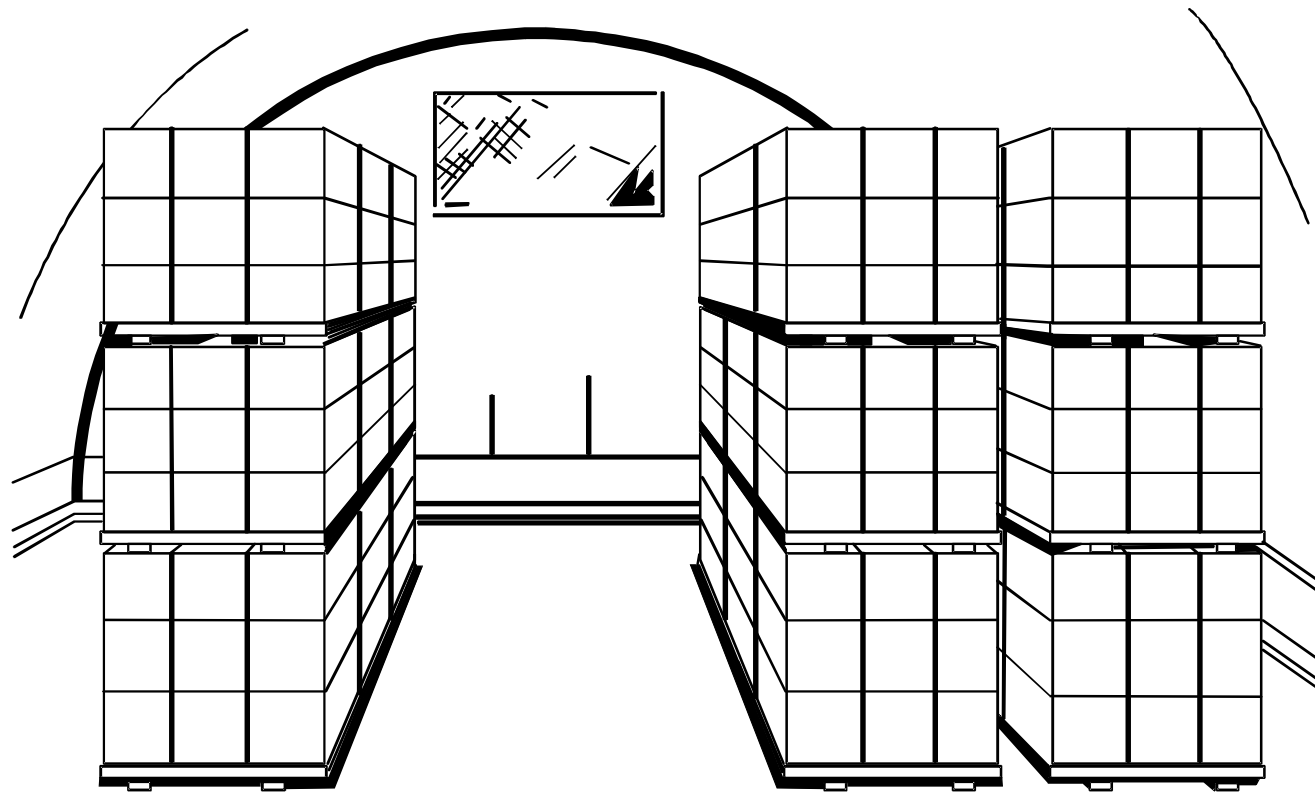
(MAGAZINE PLACARD)

GENERAL INSTRUCTIONS

- 1 Always handle explosives and ammunition carefully.
- 2 Remove dirt, grit, and foreign materials from containers and ammunition before placing in storage.
- 3 Do not store explosives and ammunition in damaged containers.
- 4 Keep all containers in magazine effectively closed so that the contents cannot be handled, examined, or removed.
- 5 Store each lot separately. Make the stacks stable. Provide for a free circulation and ammunition off the floor by dunnage.
- 6 Do not open, repair, pack or repack containers in or within 75 feet of magazine except as permitted by TM 9-1300-206.
- 7 Do not keep empty containers, tools, or other materials in magazine.
- 8 Absolute cleanliness and order must be maintained.
- 9 Use only approved electric lights, lanterns or flashlights in magazines
- 10 Do not smoke, or bring matches into magazine.
- 11 Do not allow unauthorized persons in or near magazine.
- 12 Keep magazine spark tight, with ventilators well screened, and no openings around doors or foundations.
- 13 Keep doors locked when vehicle magazine is unattended. Close doors when vehicle is approaching platform unless vehicle is equipped with spark arrestor on exhaust.
- 14 Keep the 50 foot cleared space around above ground magazines free from combustible material.
- 15 Two or more doors, when available, must be open when personnel are working in a magazine containing explosives or ammunition.
- 16 Post conspicuously one or more copies of these rules in magazine.
- 17 See TM 9-1300-206 for detailed instructions.

DA LABEL 85

**POSTED
NEAR DOOR**

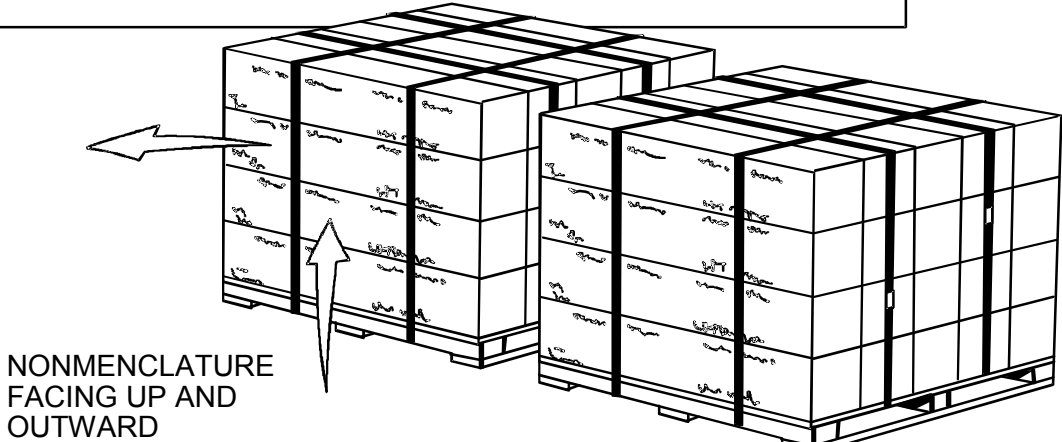


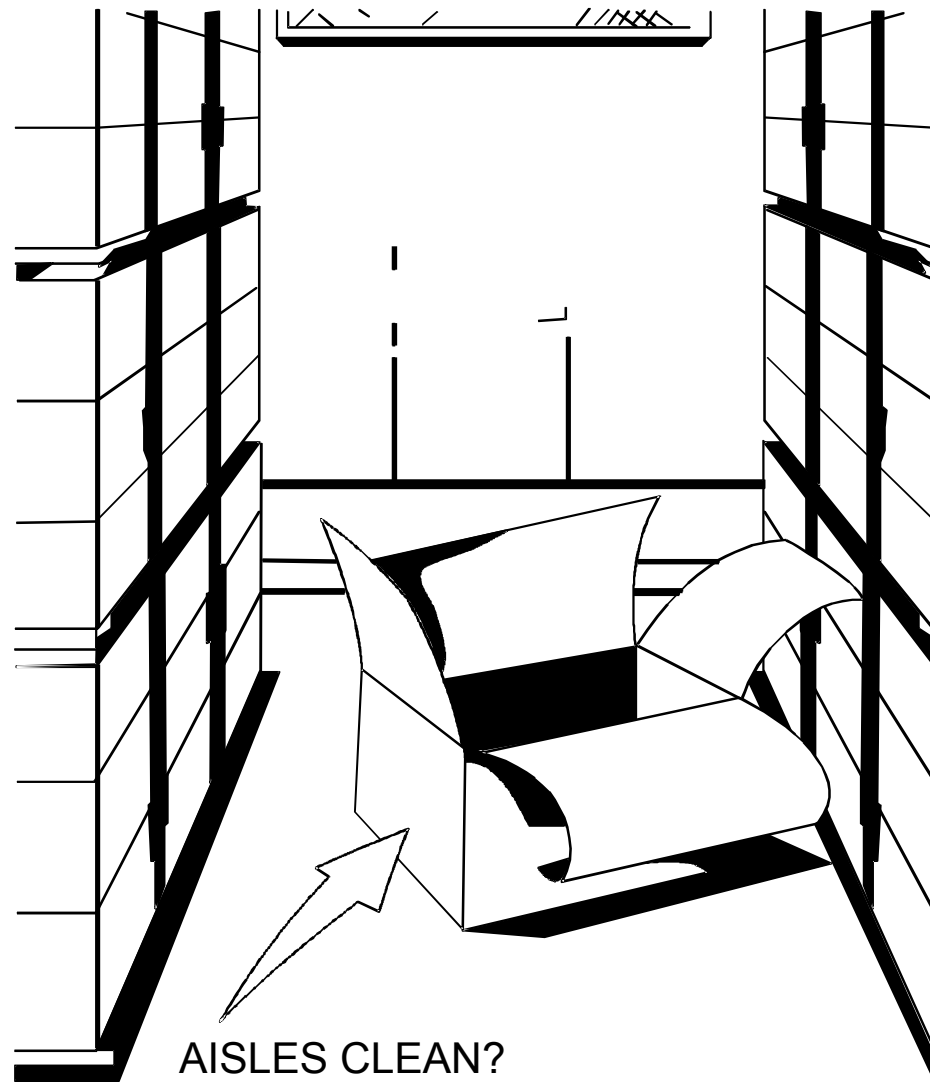
STORAGE DRAWING



1. DODIC	2. NSN	3. LOT NO.	4. LOCATION	B.	D.	
5. DESCRIPTION			A.	C.	E.	
6. DATE	7. DOCUMENT NO.	8. ACTION/PURPOSE	9. QUANTITY		10. BALANCE	11. PRINTED NAME
			A. GAIN	B. LOSS		

DA FORM 3020-R, AUG 89 **MAGAZINE DATA CARD** *Continued on Reverse*
For use of this form, see AR 710-2; the proponent agency is DCSLOG PREVIOUS EDITION IS OBSOLETE





AISLES CLEAN?



SUMMARY